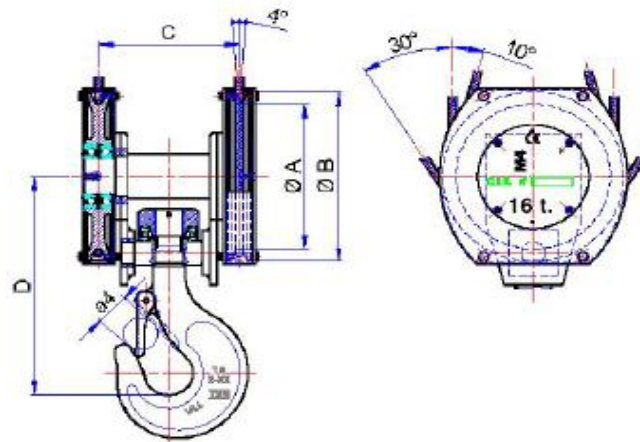


TWO SHEAVE OVERHEAD CRANEBLOCK

- 2 sheave craneblock
- RAL 9005 black and RAL 1007 yellow painted
- Steel sheet carter
- CSB series forged steel sheaves
- Other dimensions available upon request

WLL (t) per FEM group

Référence	Group code	Size	Hook nr DIN15401	ØA/ ØB (mm)	Ø wire min/max (mm)	M5	M6	C mm	D mm	Weight (kg)
CHA152	105229	05	4-T	200/235	10 11	6,3	5	190	328	45
CHA162	105249	06	4-T	228/270	11 12	8	6,3	215	346	64
CHA172	105289	07	5-T	257/297	12 13	10	8	235	373	76
CHA182	105309	08	6-T	280/330	13 14	12,5	10	268	450	120
CHA192	105329	09	8-T	320/375	15 16	16	12,5	291	484	152
CHA202	105349	10	10-T	355/425	17 18	20	16	320	530	215
CHA212	105369	11	12-T	400/470	19 20	25	20	360	600	270



Subjected to technical modification without notice - Non contractual document