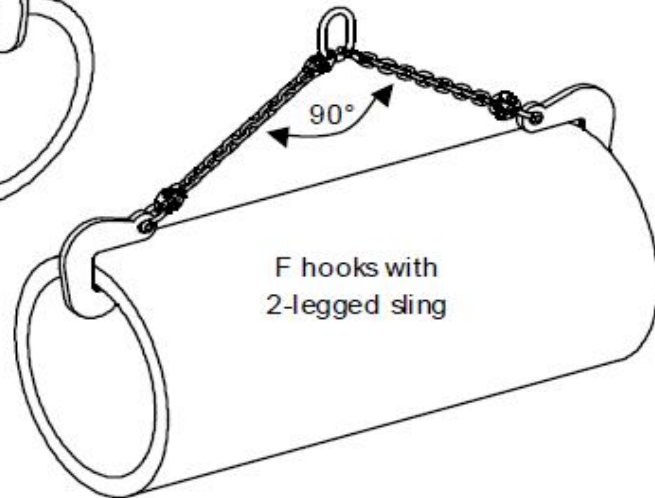
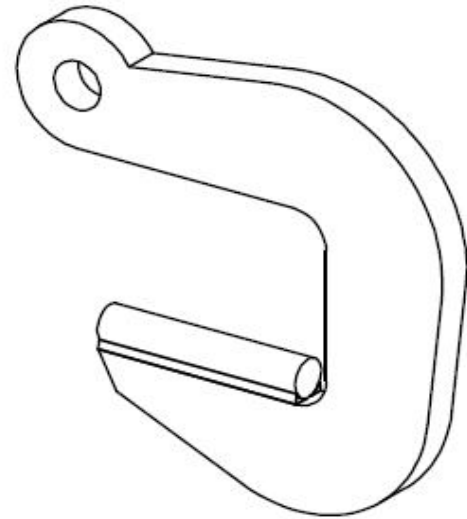
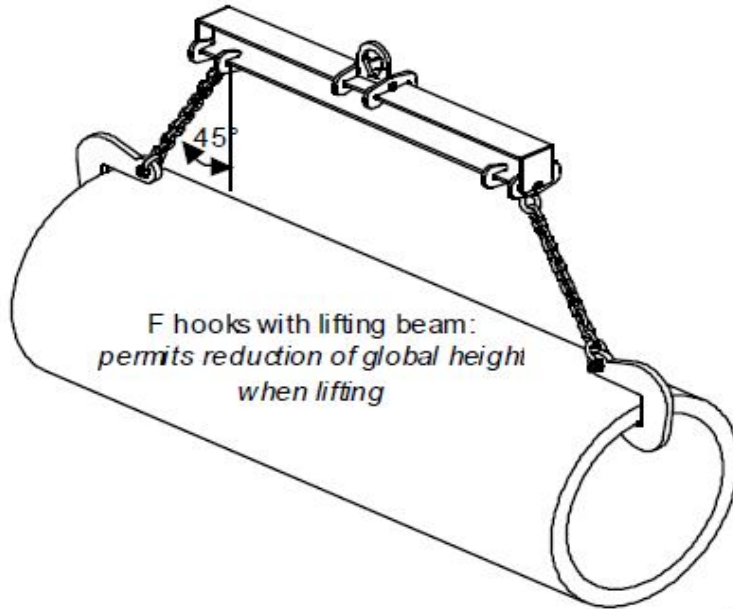


Applications

Lifting of horizontal pipes or tubes made of various materials.



Description

Hooks with a heavy capacity and round bearing surface for a better contact with the load. Slings not provided.

Functioning

Use in pairs with a 2-legged sling. Position a hook at both ends and perform lifting.

Important instructions

- Recommended sling angle: 90°.
- Working temperature: -20° to +100°C.

Subjected to technical modification without notice - Non contractuel document.

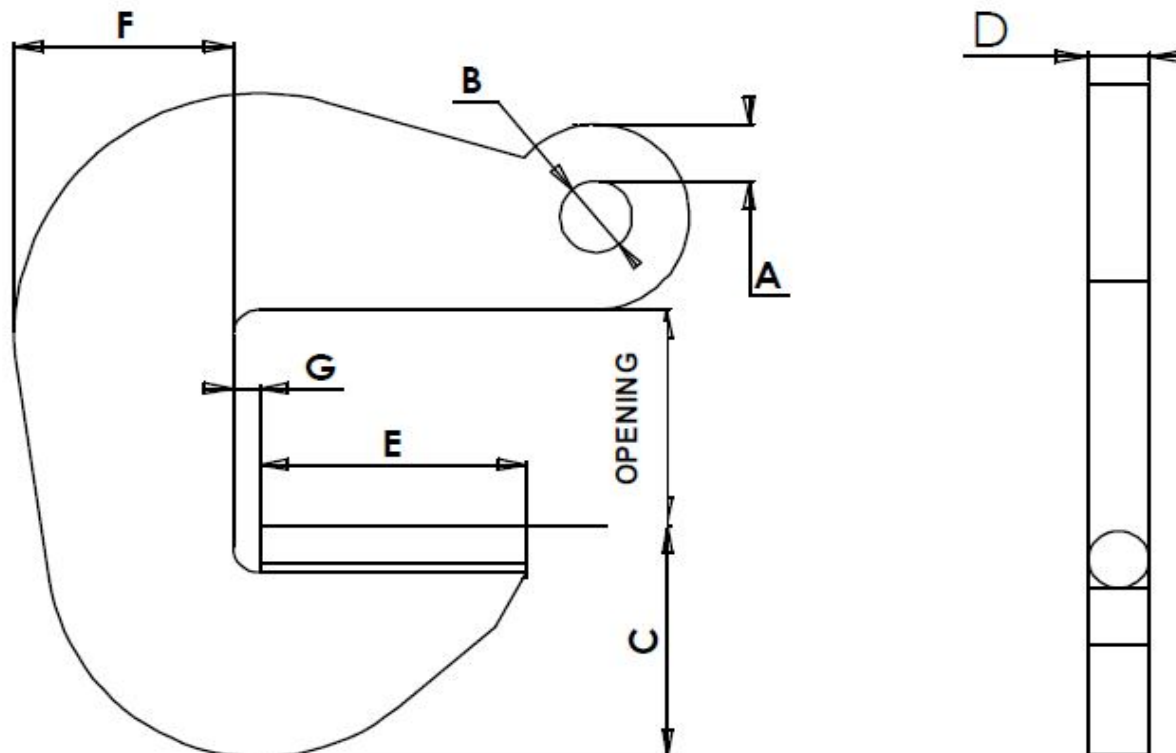
General characteristics

- Manufactured without load bearing welds.
- Hot epoxy coating.
- Safety factor: 3 in accordance with the EN 13155:2003 norm.
- Product conforms to the French regulation, in particular the decree of 01/03/2004 relating to the check on lifting devices and the European Directive n°98/37.
- Product with EC marking and delivered with a declaration of conformity and instructions for use.

Dimensional characteristics

Ref.	Group code	WLL/ pair kg	Opening	A	B	C	D	E	F	G	Sling angle	Min chain Ø*	Shackle WLL (t)	Weight pair kg
F2 0-60	50118	2 000	60	16	20	59	15	85	50	13	90°	8	2	4
F5 0-75	50128	5 000	75	21	27	90	20	100	82	10	90°	13	4,75	11
F10 0-100	50138	10 000	100	29	36	130	20	120	130	28,5	90°	16	8,5	24
F15 0-100	50148	15 000	100	34	45	140	30	120	140	28,5	90°	20	12	40

- provide a 2-legged sling grade 80, fitted with a shackle on each leg end to connect the hooks
- Dimensions in mm



Options on request

- Polyurethane coating on hooks' upright and bearing surface.