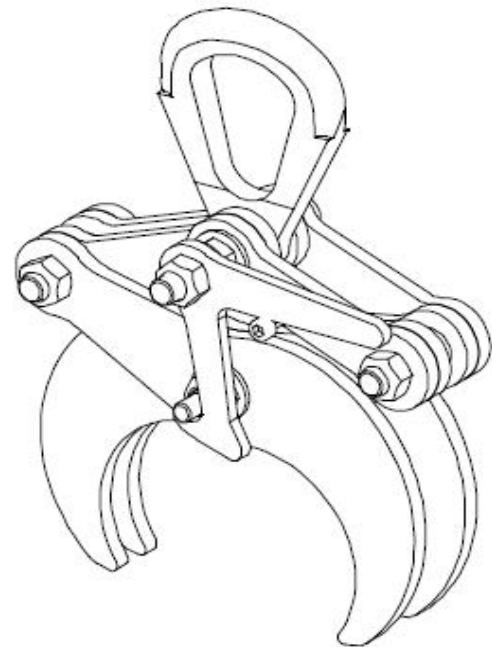
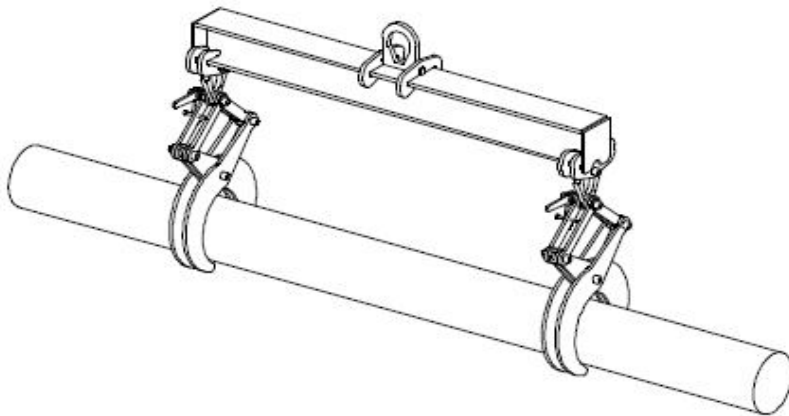


Applications

Lifting of round or square bars, tubes, and various small profiles individually or in hooped bundles.



Description

These accessories are fitted with an open position locking system allowing to lay down the load without any intervention on the clamp.

Functioning

Place the clamp locked open over the load. Lift up the lever and hold it in the up position while starting off the lift to prevent it from locking again against the fastening screw. When laying down, the clamp automatically locks itself open.

Important instructions

- Use in pairs with a lifting beam recommended.
- Vertical traction only.
- When lifting bundles, ensure each piece is correctly secured by the clamps.
- Working temperature: -20° to +100°C.

Subjected to technical modification without notice - Non contractual document.

General characteristics

- Manufactured without load bearing welds.
- Hot epoxy coating.
- Safety factor: 3 in accordance with the EN 13155.2003 norm.
- Product conforms to the French regulation, in particular the decree of 01/03/2004 relating to the check on lifting devices and the European Directive n°98/37.
- Product with EC marking and delivered with a declaration of conformity and instructions for use.

Dimensional characteristics

Ref.	Group code	WLL kg	Opening		A		B		C		D	E	F	G	H	I	Weight kg
			min	max	min	max	min	max	min	max							
RT05 50-100	50748	500	50	100	314	359	136	170	146	187	100	16	44	69	52	18	4
RT1 100-200	50758	1 000	100	200	475	563	241	318	222	296	100	16	44	69	52	18	9
RT2 200-350	50768	2 000	200	350	745	872	427	544	355	447	100	20	60	80	64	23	27
RT3 250-450	50778	3 000	250	450	839	1010	485	634	546	650	100	20	68	80	64	23	40

Dimensions in mm

